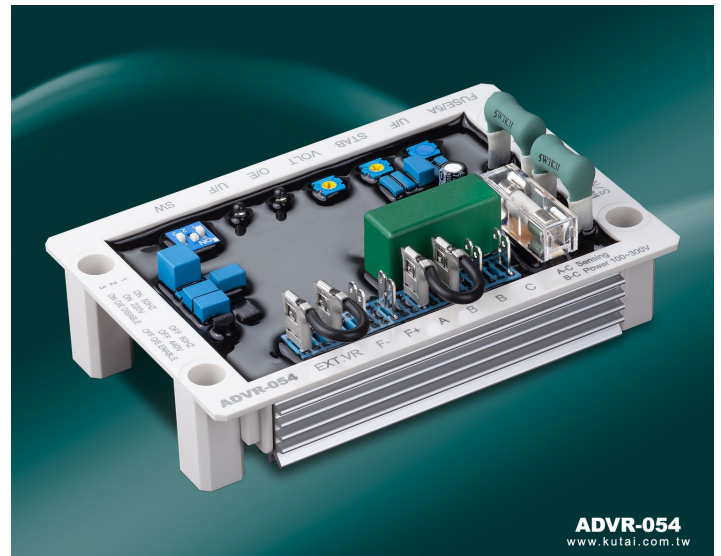


ADVR-054

Self Excited Automatic Voltage Regulator 5Amp

Features

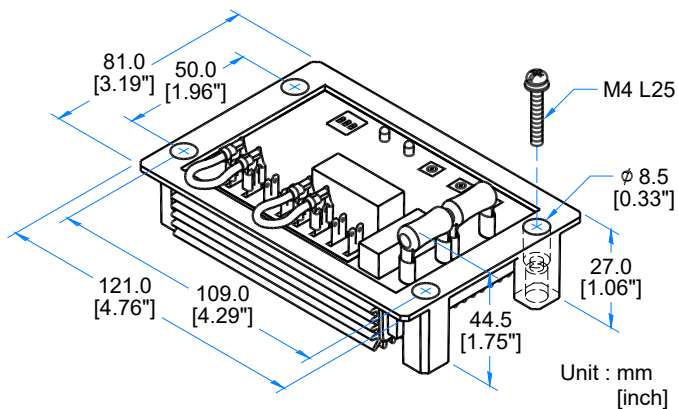
- Compact size, robust and high reliability
- Innovative heat sink significantly increases cooling efficiency
- 220/380/440/480 Vac selectable input
- Soft start voltage ramping
- Over excitation protection
- EMI suppression
- Automatic shut off output when voltage sensing is lost
- Built-in high capacity fuse
- Use with KUTAI [EP200](#) Paralleling Module for parallel operation
- Digital circuit for voltage sensing and under frequency protection
- Effectively minimize the output voltage variations and under frequency knee point drifted affected by temperature changes



Specifications

Sensing Input	Voltage 170 to 260 Vac @ 220 Vac 1 phase 2 wire	Soft Start Ramp Time	3 seconds +/-10%
(Average Reading)	340 to 520 Vac @ 440 Vac 1 phase 2 wire	EMI Suppression	Internal electromagnetic interference filtering
	220/440 Vac DIP switch setting	Static Power Dissipation	Max. 8 watts
	Frequency 50/60 Hz DIP switch setting	Under Frequency Protection (Factory Presets)	
Power Input	Voltage 100 to 300 Vac 1 phase 2 wire		50 Hz system presets knee point at 45 Hz
	Frequency 40 to 60 Hz		60 Hz system presets knee point at 55 Hz
Excitation Output	220 Vac 1 phase Continuous 63 Vdc 5A	Over Excitation Voltage Protection	
	Max. 90 Vdc 7A for 10 seconds		When excitation output is greater than 40% of the Power Input, O/E protection will activate and shutdown excitation output after 5 seconds
	Resistance Min. 15 ohms Max. 100 ohms		This function can be turned off
External Voltage Adjustment	Max. +/- 3.5% @ 1K ohm 1 watt potentiometer	Voltage Thermal Drift	Less than 3% at temperature range -40 to +70 °C
Volts Regulation	Less than +/-0.5% (with 4% engine governing)	Under-Frequency Knee Point Thermal Drift	
Build Up Voltage	5Vac 25Hz residual volts at power input terminal		Less than +/-0.1 Hz at -40 to +70 °C

Dimensions



Environment

Operating Temperature	-40 to +60 °C
Storage Temperature	-40 to +85 °C
Relative Humidity	Max. 95%
Vibration	5.0 Gs @ 60 Hz

Physical Specifications

Dimensions	121.0 (L) x 81.0 (W) x 44.5 (H) mm 4.76 (L) x 3.19 (W) x 1.75 (H) inch
Weight	270 g +/-2% 0.6 lb +/-2%

Accessories

EB500	Automatic Flashing Unit for Generator
EP200	Reactive Factor Compose Module (Droop Module)

